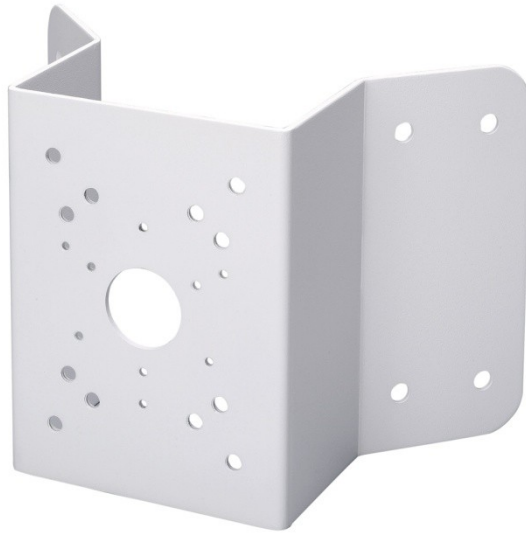


DH-PFA151

Corner Mount Bracket



Features

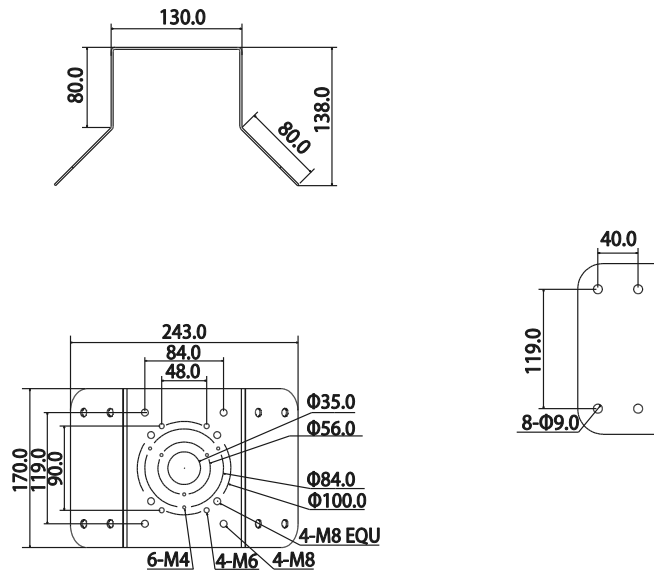
- Material: SECC
- Corner Mount Bracket
- Neat & Integrated design

Specifications

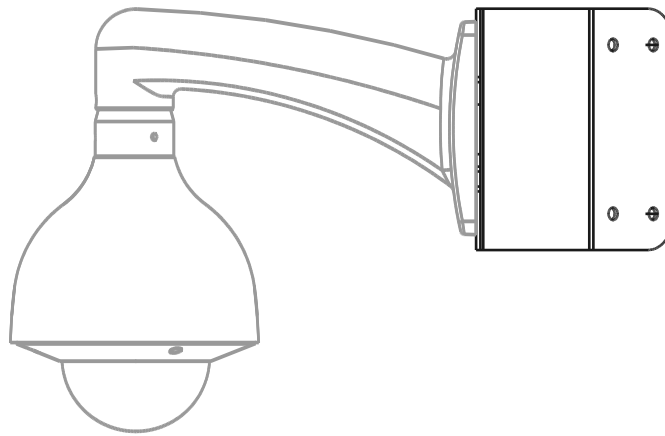
Model	DH-PFA151
General	
Material	SECC
Dimension (W x H x D)	243mm x 170mm x 138mm
Pipe Thread	N/A
Operating Temperature	-40°C ~60°C
Humidity	0~90% RH
Load Bearing	10.0Kg
Weight	1.7Kg
Applicable Model	PFB300S, PFB300W, PFB301W, PFA120, PFA130, PFA131, PFA140, PFB300C, PFB301C, HDC-HFW3200C, IPC-HFW(C)

DH-PFA151

Dimensions (mm)



Application



Dahua Technology Co., Ltd.

1187 BinAn Road, Binjiang District, Hangzhou, China

Tel: +86-571-87688883

Fax: +86-571-87688815

Email: overseas@dahuatech.com

www.dahuasecurity.com

*Design and specifications are subject to change without notice.

© 2013 Dahua Technology Co., Ltd.